

CITTÀ

Aspen Dining Chair

Product Information Document

The clean lines and balanced proportions of the Aspen chair make it a timeless, welcoming addition to your dining setting. Designed in our New Zealand studio by David Moreland and Nikolai Sorensen.



Aspen Dining Chair

Material

Base: Oak / Mild steel | Seat: Solid oak, Oak veneer

Colour



Oak

TSF0026 (Wooden legs)
TSF0050FSC (Metal legs)



Black

TSF0028 (Wooden legs)
TSF0051FSC (Metal legs)

Dimensions Packaged: 68 x 45 x 93 cm (h) (Wooden legs) | 68 x 55 x 98 cm (h) (Metal legs)

Dimensions Assembled: 56 x 44 x 80 cm (h) (Wooden legs) | 52 x 48 x 75 cm (h) (Metal legs)

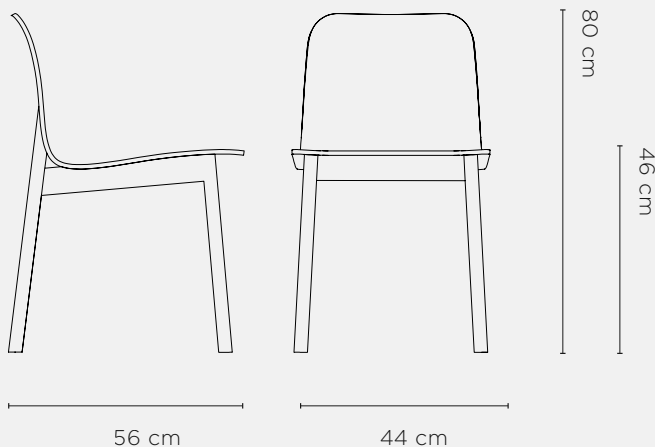
Weight Packaged: 12.1 kg (Wooden legs) | 15 kg (Metal legs)

Weight Assembled: 10 kg (Wooden legs) | 12 kg (Metal legs)

Care Instructions

Wipe clean using warm damp cloth. Avoid leaving water sitting on the surface as this can damage the product. Avoid the use of scouring pads, scouring cream or cleaning products containing alcohol as they may cause damage.

Wooden Leg



Metal Leg

