

CITTÀ

Craft Shelf Modular

Product Information Document

The Craft range celebrates strong lines and deliberate restraint, creating a refined, clean aesthetic. A series of cabinets and shelf options enables you to create a unique display unit tailored to your space. Alternatively, the shelves can be displayed alone as a striking floating shelf.

To ensure an aligned installation with the Craft cabinets, the Craft shelves are available in two lengths with a 30mm difference. The modular shelf is designed to be positioned above the Craft modular cabinet, while the modular shelf extension sits above the Craft extension cabinet. This ensures the overall length is matched.



Craft Shelf Modular

Material

Solid oak, Oak veneer

Colour



Oak

OTI0019

Extension: OTI0016



Smoked oak

OTI0020

Extension: OTI0017

Dimensions Packaged: 131 x 37 x 9.5 cm (h)

Extension: 131 x 37 x 9.5 cm (h)

Dimensions Assembled: 123 x 30 x 3.2 cm (h)

Extension: 120 x 30 x 3.2 (h)

Weight Packaged: 11 kg

Extension: 11 kg

Weight Assembled: 9 kg

Extension: 9 kg

Residential Warranty: 3 years

Commercial Warranty: 3 years

Assembly Required

Care Instructions

Wipe clean with a soft damp cloth and water. Wipe immediately with a dry cloth. Avoid leaving water sitting on the wood as this can cause small spots or permanent marks. Do not use chemical cleaners on any surfaces. Avoid the use of scouring pads, scouring cream or cleaning products containing alcohol as they may cause damage.

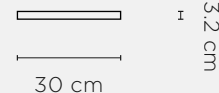
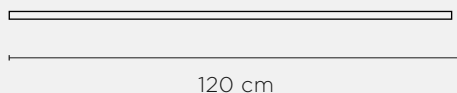
Installation

Ensure all fixing points are mounted into a stud, nogg or concrete. Please use a qualified builder or cabinetmaker for installation. The shelf bracket is constructed from welded steel with weight capacity reliant on correct installation. The shelf has been tested and approved for an evenly distributed load capacity of up to 50kg.

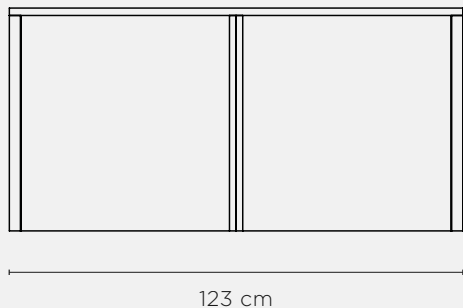
OTI0019 | OTI0020



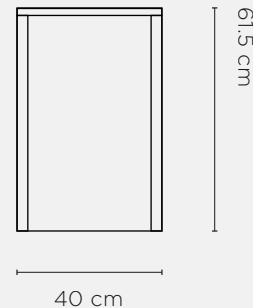
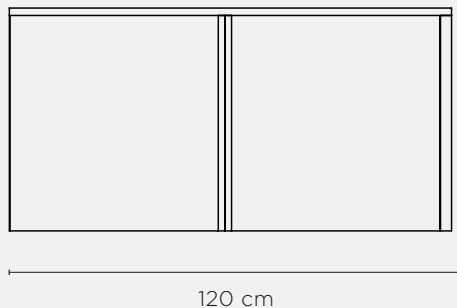
OTI0016 | OTI0017



OTI0012 | OTI0014

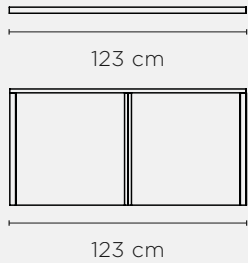


OTI0013 | OTI0015



Configuration Examples

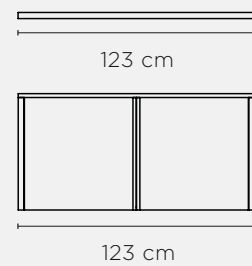
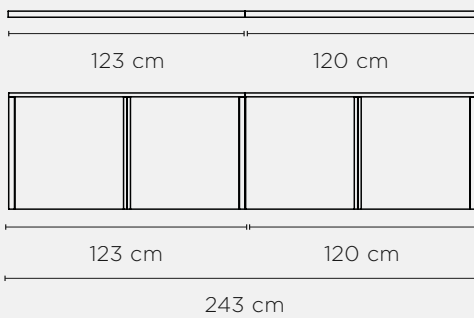
- a) 1 x Craft Cabinet Modular
1 x Craft Shelf Modular



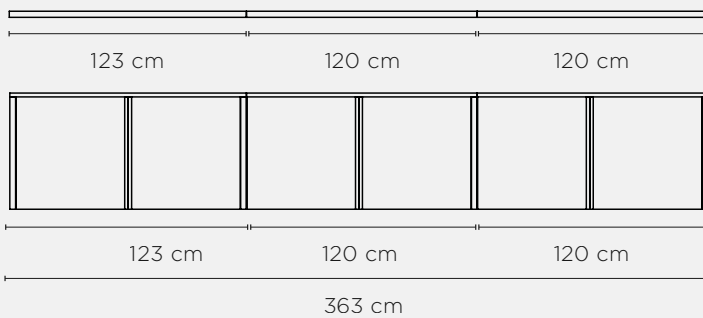
- e) 1 x Craft Cabinet Modular
4 x Craft Shelf Modular



- b) 1 x Craft Cabinet Modular | 1 x Craft Cabinet Modular Extension
1 x Craft Shelf Modular | 1 x Craft Shelf Modular Extension



- c) 1 x Craft Cabinet Modular | 2 x Craft Cabinet Modular Extension
1 x Craft Shelf Modular | 2 x Craft Shelf Modular Extension



- d) 1 x Craft Cabinet Modular | 3 x Craft Cabinet Modular Extension
1 x Craft Shelf Modular | 3 x Craft Shelf Modular Extension

