

CITTÀ

Craft Cabinet Modular

Product Information Document

The Craft range showcases its construction details with striking vertical uprights and handles. A combination of strong lines and deliberate restraint creates a refined, clean aesthetic. A series of cabinet and shelf options enable you to create a unique display unit tailored to your space.

The design starts with the cabinet, which has vertical uprights at both ends to allow it to be displayed as a standalone furniture piece. Alternatively, you can expand your configuration by adding on extension cabinets or pairing it with Craft floating shelves, both available for separate purchase.

This extension cabinet is designed to adjoin the base Craft modular cabinet or against another extension cabinet (both sold separately). Its design features an open left-hand side with vertical uprights positioned solely on the right-hand end. Installing them side by side creates a symmetrical aesthetic without duplicating uprights.



Craft Cabinet Modular

Material

Solid oak, Oak veneer

Colour



Oak

OTI0012

Extension: OTI0013



Smoked oak

OTI0014

Extension: OTI0015

Dimensions Packaged: 132 x 49.5 x 78 cm (h)

Extension: 130 x 49.5 x 78 cm (h)

Dimensions Assembled: 123 x 40 x 61.5 cm (h)

Extension: 120 x 40 x 61.5 (h)

Weight Packaged: 60 kg

Extension: 59 kg

Weight Assembled: 45 kg

Extension: 44 kg

Residential Warranty: 3 years

Commercial Warranty: 3 years

Assembly Required

Care Instructions

Wipe clean with a soft damp cloth and water. Wipe immediately with a dry cloth. Avoid leaving water sitting on the wood as this can cause small spots or permanent marks. Do not use chemical cleaners on any surfaces. Avoid the use of scouring pads, scouring cream or cleaning products containing alcohol as they may cause damage.

Installation

The cabinet can sit on the ground, creating a sophisticated negative detail with the adjustable feet, or mounted to the wall using the concealed bracket. If you choose to float the cabinet, ensure all fixing points are mounted into a stud, nogg or concrete. Please use a qualified builder or cabinetmaker for installation. You can find detailed installation instructions and layout examples in the product details drop-down on our website.

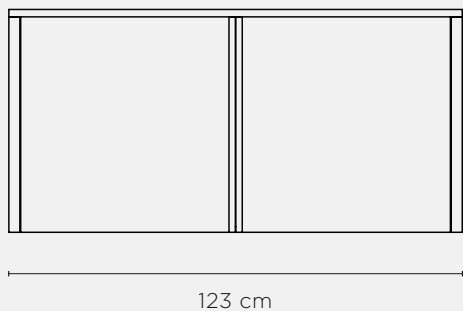
OTI0019 | OTI0020



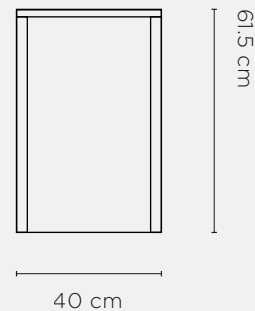
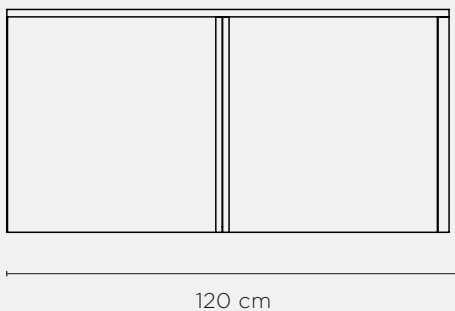
OTI0016 | OTI0017



OTI0012 | OTI0014

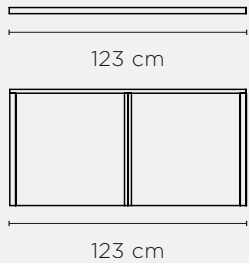


OTI0013 | OTI0015



Configuration Examples

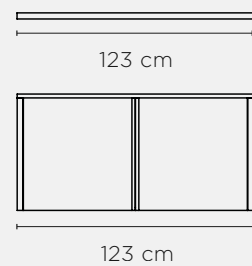
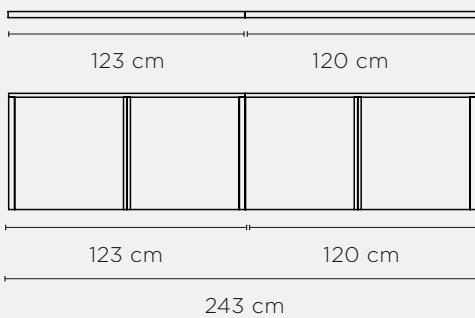
- a) 1 x Craft Cabinet Modular
1 x Craft Shelf Modular



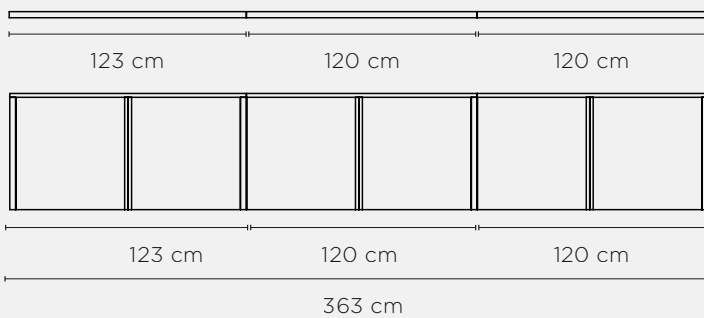
- e) 1 x Craft Cabinet Modular
4 x Craft Shelf Modular



- b) 1 x Craft Cabinet Modular | 1 x Craft Cabinet Modular Extension
1 x Craft Shelf Modular | 1 x Craft Shelf Modular Extension



- c) 1 x Craft Cabinet Modular | 2 x Craft Cabinet Modular Extension
1 x Craft Shelf Modular | 2 x Craft Shelf Modular Extension



- d) 1 x Craft Cabinet Modular | 3 x Craft Cabinet Modular Extension
1 x Craft Shelf Modular | 3 x Craft Shelf Modular Extension

