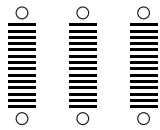
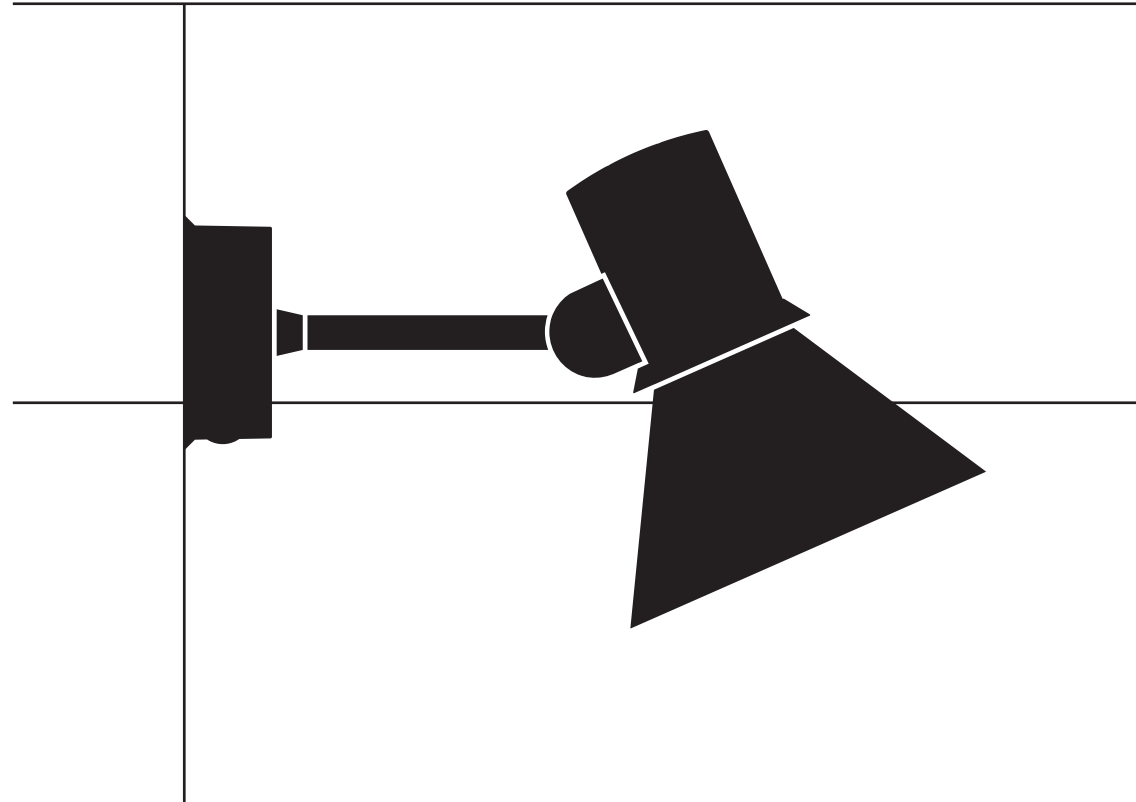


# ANGLEPOISE®

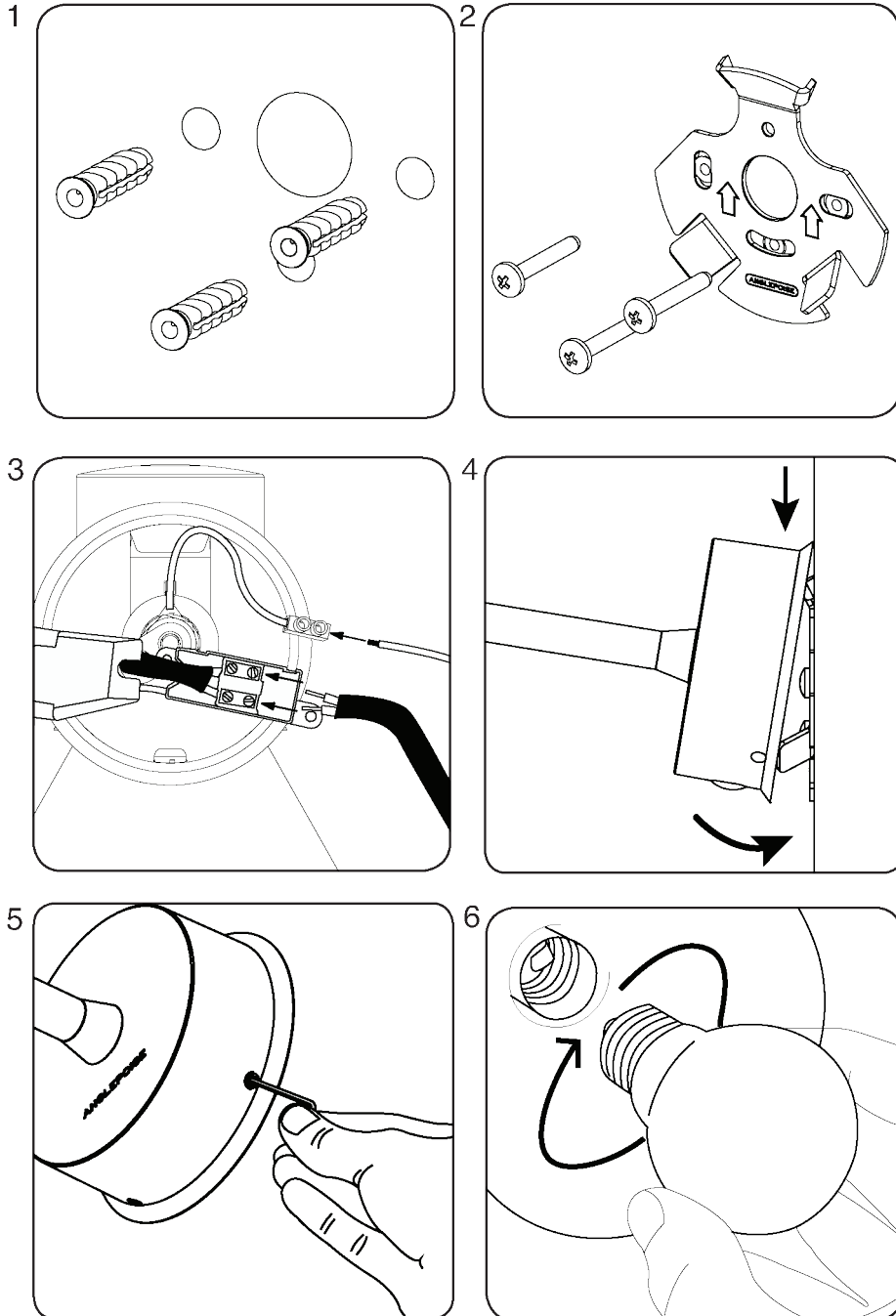
Type 80™ | Designed by Sir Kenneth Grange



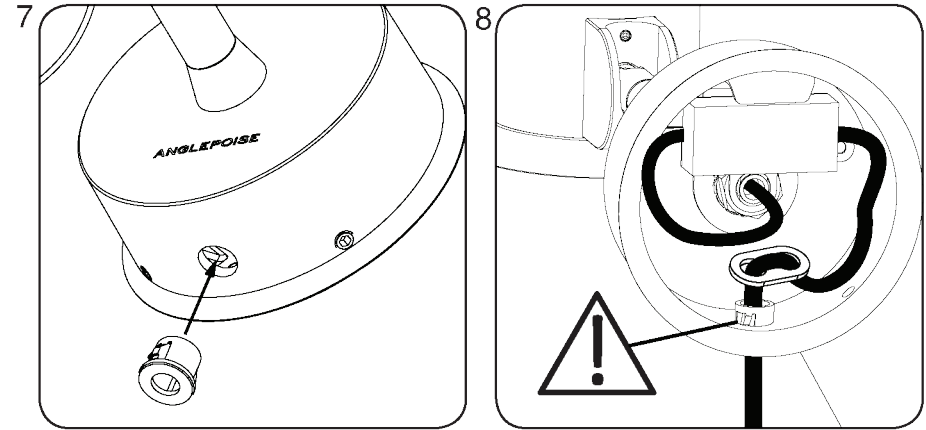
est. 1932

**Type 80™**  
Wall Light

## INSTALLATION:



## ALTERNATIVE WIRING CONFIGURATION



## INSTRUCTIONS:

1. Drill 3x holes in wall and insert Rawl Plugs(100214) provided.
2. Using the Wall Screws (100215) provided, fix back plate to wall.
3. To connect the product to the mains please use a qualified electrician. Hardwiring should always be undertaken by a professional. **WE RECOMMEND THE PRODUCT IS EARTHED.**
4. Hang the wall light on to the back plate as shown.
5. Screw in 2x Grub Screws (102748) to secure wall light.
6. Screw in the bulb.

## ALTERNATIVE WIRING CONFIGURATION

If standard installation is not convenient the Type 80 Wall Light can be configured by a qualified electrician to plug in to a power outlet (Additional cable and plug not supplied)

7. Remove blanking plug and install cable grommet into wall sconce.
8. Wire cable from terminal block through the cable grommet to a suitable plug adaptor. **THE CABLE STRAIN RELIEF EYELET (101892) MUST BE INSTALLED AS SHOWN.**

## ADJUSTMENT

To avoid damage caused by excessive force, please take care with the movement range and characteristics of your product. It is also advisable to allow the shade to cool before adjustment and repositioning.

## MAINTENANCE

Prior to cleaning or maintenance, always switch off and disconnect from the electricity supply and allow the shade to cool.

**Repairs and the replacement of damaged cables or electrical parts should only be carried out by a qualified electrician, an authorised distributor or by Anglepoise® Ltd.**

Your product should only be used in a dry indoor environment.

It is essential that any replacement bulb does not exceed the maximum wattage indicated inside the shade.

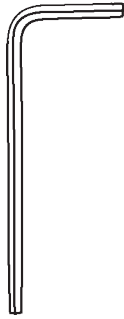
## QUALITY AND SAFETY

This product is marked to demonstrate conformity with relevant directives. The minimum operating distance from illuminated objects and surfaces is 0.2m. Rated Voltage 220V-240V AC / 50-60Hz.

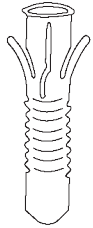
# Type 80™ Wall Light

## ASSEMBLY PARTS & TOOLS:

Your Anglepoise® comes supplied with everything you need to assemble and install your product. The assembly parts and tools you'll find in the box are:



1 x 100217  
Allen Key



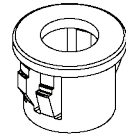
3 x 100214  
Rawl Plug



3 x 100215  
Wall Screw



2 x 102748  
M5 Grub  
Screw  
(Assembled  
to product)



1 x 100141  
Cable  
Grommet



1 x 101892  
Strain Relief  
Eyelet

PARTS NOT TO SCALE

## BULB INFORMATION:

We recommend using either an E27 LED bulb in your product with a colour temperature of 2700K. This colour temperature is suitable for most applications.

If you require a different light output you can use an alternative bulb.

**Important:** Do not use a bulb which exceeds the maximum wattage indicated inside the shade.

  0.2m   E27  
220-240V AC ~50-60Hz  MAX 10W

