

Type 80 Table Lamp

Distinguished by a striking, graphic profile, Type 80's design is further enhanced by an attractive 'halo' light-escape feature in the shade. Every detail has been carefully considered and precision engineered to deliver streamlined style, ease of use and consistency across the collection.



cittadesign.com/collection/anglepoise

Ask us about our payment partners | cittadesign.com/payment-partners
citta@cittadesign.com

CITTÀ

MATERIAL

Aluminium/Steel/Cast Iron

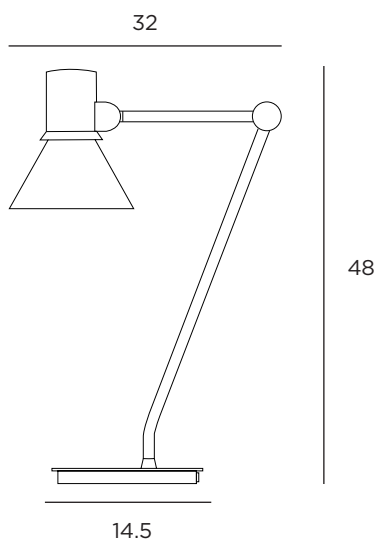
COLOUR

Matte Black
ANG32910

Grey Mist
ANG32914

DIMENSIONS

Packaged 38x22x55cmh
Assembled 32x14.5x48cmh



ASSEMBLY

Assembly required

WEIGHT

Packaged 3.24kg
Assembled 2.8kg

CARE/CLEANING INSTRUCTIONS

Voltage 220/240V; 50/60Hz; Maximum permitted bulb 10W LED E27

cittadesign.com/collection/anglepoise

Ask us about our payment partners | cittadesign.com/payment-partners
citta@cittadesign.com

CITTÀ