

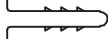


# BOW WALL HOOK

## Installation Instructions

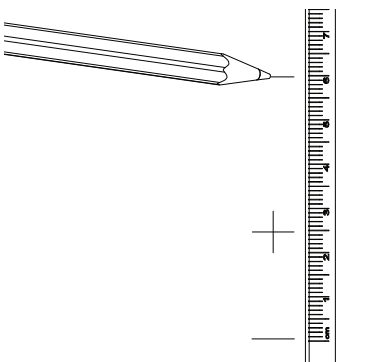
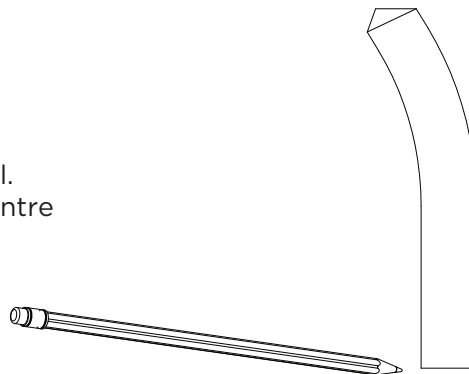
CITTÀ

Bow Wall Hook	Screws x 2	Wall Plugs x 2
		

We recommend using a qualified builder to install this product. The maximum load bearing weight of this hook is dependent on what you are fixing the hook to and how you are fixing it. With the supplied expansion anchors recommend a maximum weight of 2kg when fixing into dry wall (GIB). When fixing into masonry or directly into a stud the recommended weight is 10kg. If you are fixing into a masonry wall or wanting to hang heavy items into dry wall, you can purchase specialty fixing anchors from your local hardware store.

### 1.

Locate the hook at its intended position on wall.  
Using a pencil, mark on the wall the bottom centre position of the hook.



### 2.

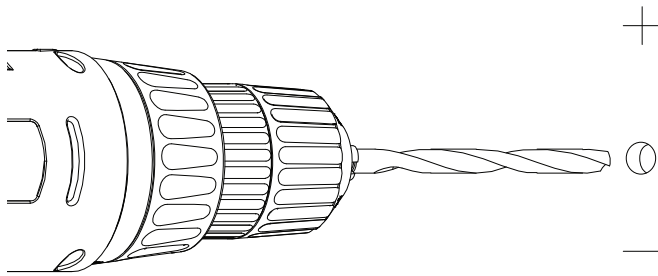
From the pencil mark on the wall and by using a ruler measure and mark 2.5cm and 6cm. This will provide you with the two fixing points for the screws. Double check that distance between the two screw holes marks are 3.5cm.  
*hint\* to make sure your hook hangs perfectly straight; you can use a level or a level phone app to make sure the two screw hole marks are vertical.*

If you are fixing directly into a stud, please go to step 5.

# BOW WALL HOOK

## Installation Instructions

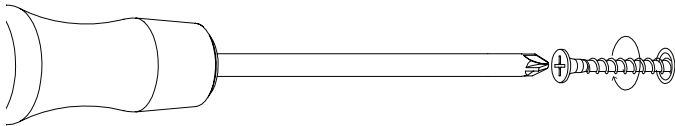
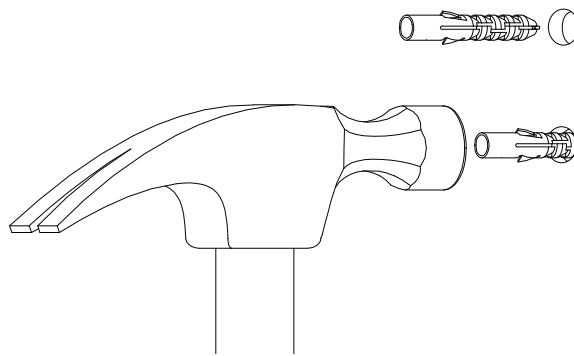
# CITTÀ



**3.**

Using a drill and 5mm drill bit, drill two holes into the two screw hole marks on the wall.

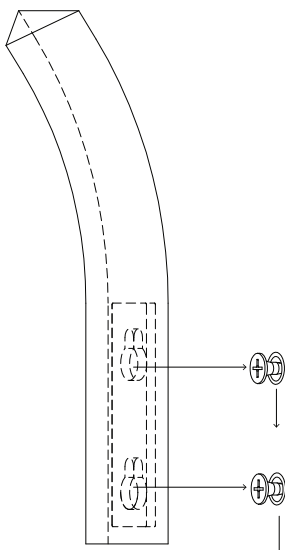
**4.**  
Gently hammer the two provided expansion anchors into the holes until they sit flush with the wall.



  
5.5mm

**5.**

Carefully screw the screws into the anchor holes until the ends of the screw head sits 5.5mm off the wall. By doing this it will allow the hook bracket to fit snug and secure onto the mounting screws.



**6.**

Using the keyhole bracket at the back of the hook, locate the hook onto the mounting screws and carefully but firmly slide the hook down to lock in place.

*Hint\* you may need to re-adjust the mounting screws until the hook is snugly secured to the wall.*